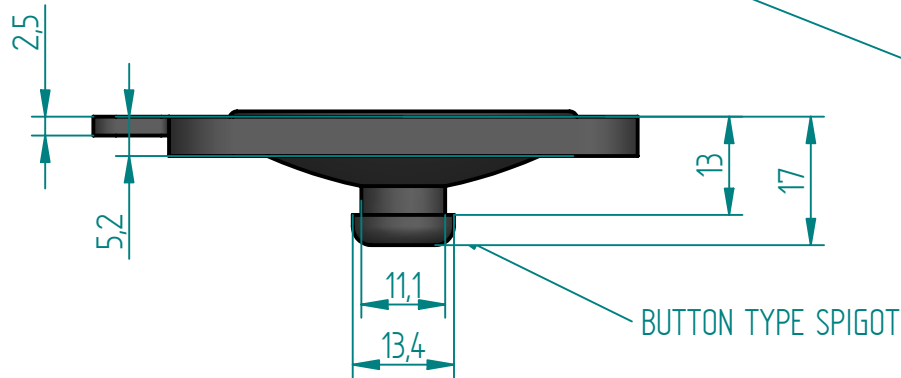
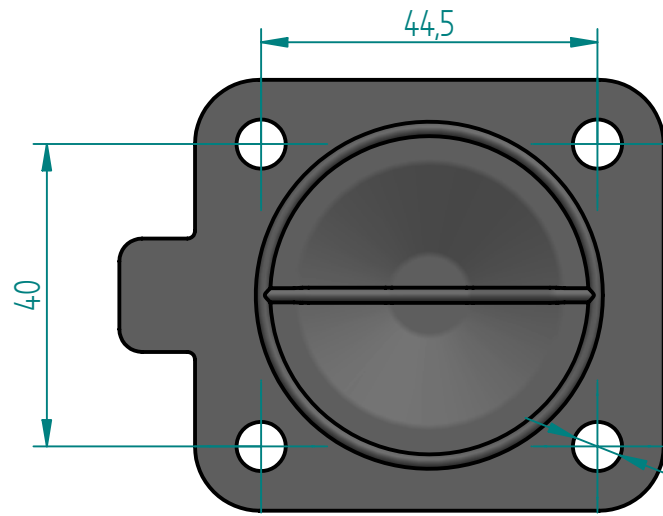
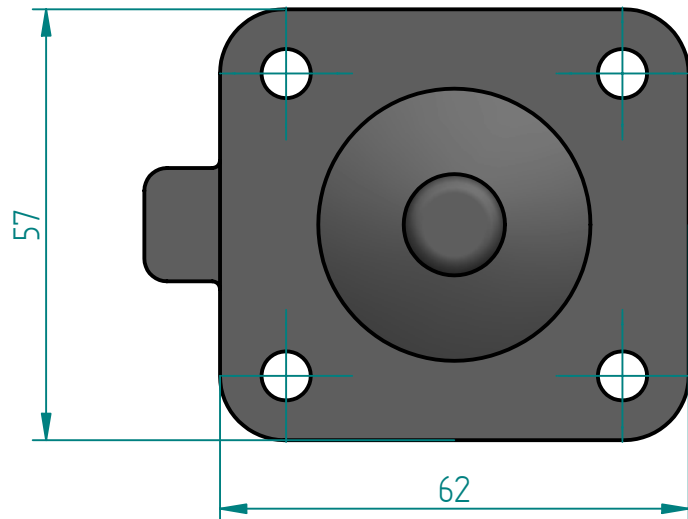
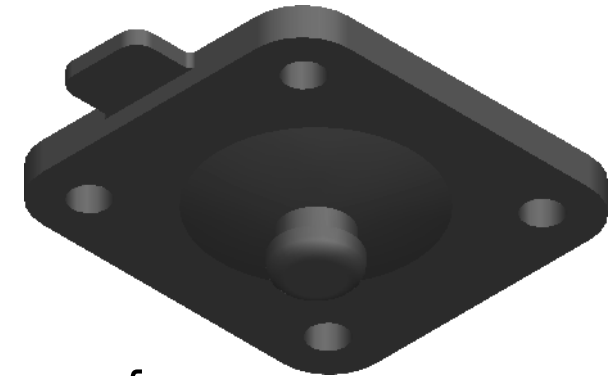
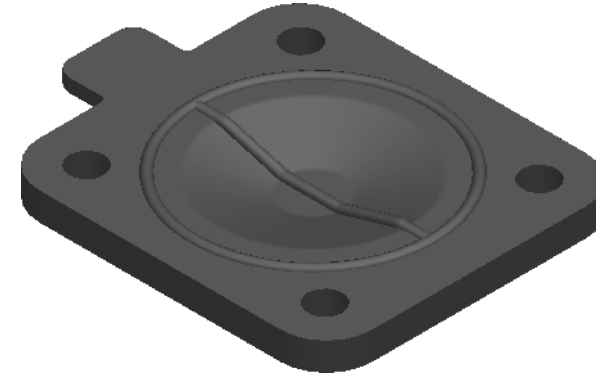


REVISION HISTORY

REV	DESCRIPTION	DATE	APPROVED
C	OEM PART changed from DA020-EF & Removed kidney features from external Dome.	27/10/21	JB



Ø 6,5 (4 HOLES)



Replacement Diaphragm for :-

OEM PART = N/A - OEM has discontinued.

USED ON 3/4" (DN20) Diaphragm Valve

	NAME	DATE
DRAWN	M.MC KEON	10/27/21
CHECKED	M.MC KEON	11/22/17

Material - EPDM

Complies with CFR 177.2600
and Conforms to
USP Class VI Biological Reactivity
Tests Section #87 and #88



TITLE		DD07-SE7	
SIZE A	FOOT PRINT DIMENSIONS		REV C
FILE NAME: DD07-SE7-C.dft			
SCALE: 1 : 1	1633-04-16-1	SHEET 1 OF 1	

Disclaimer - Diaphragm Direct® does not manufacture, represent, nor sell OEM valves or diaphragms manufactured by any other company. Diaphragm Direct® brand diaphragms are not sponsored by any other manufacturers. Any name, model, part number, brand, image, material or referral is for descriptive purposes only. Diaphragm Direct® brand replacement diaphragms are guaranteed to fit OEM equipment and meet or exceed OEM specifications. Diaphragm Direct® brand replacement diaphragms are covered by the standard Diaphragm Direct® limited product warranty.